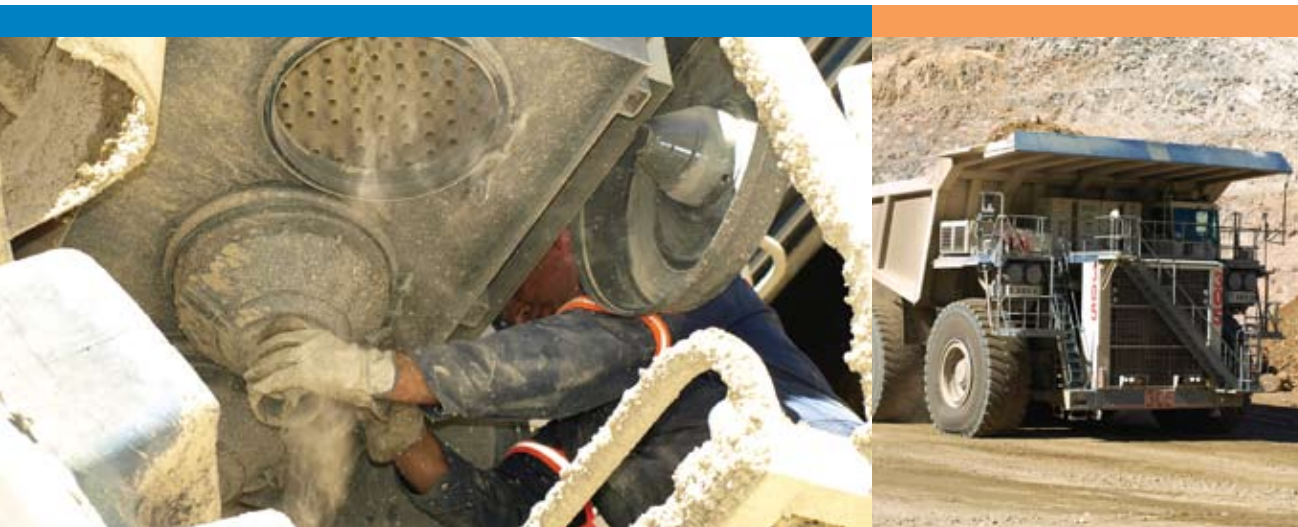


The SSG Air Cleaner for Mega Machines that Operate in Heavy and Severe Dust Conditions



These air cleaners are designed for the worst dust conditions.

- Single and dual outlet models - two high-flow models available
- Inlet has perforated holes on three sides, rain shrouds available if required
- Filters are urethane end caps with radial seal sealing technology
- Built-in pre-cleaning tubes that separate up to 95-97% of the in-coming dust
- Available with standard cellulose media or Ultra-Web® Technology
- Latch-style cover with attached safety chain for faster and simpler filter service
- Constructed of heavy-gauge steel with a primed, ready-to-paint finish
- Same overall package size as older Donaldson SRG axial seal style housings
- **NEW** Retrofit kits available for older SRG models
- **NEW** Dust Dumpa! Tube Extensions for Dust-Cups

Design Improvements

enhance Serviceability

... simpler service and reliable filtration performance in one package!

Design Features

Radial seal filters slip easily on and off the outlet tube during service and installation. Metal endcaps have been replaced with durable, one-piece, urethane molded endcaps.



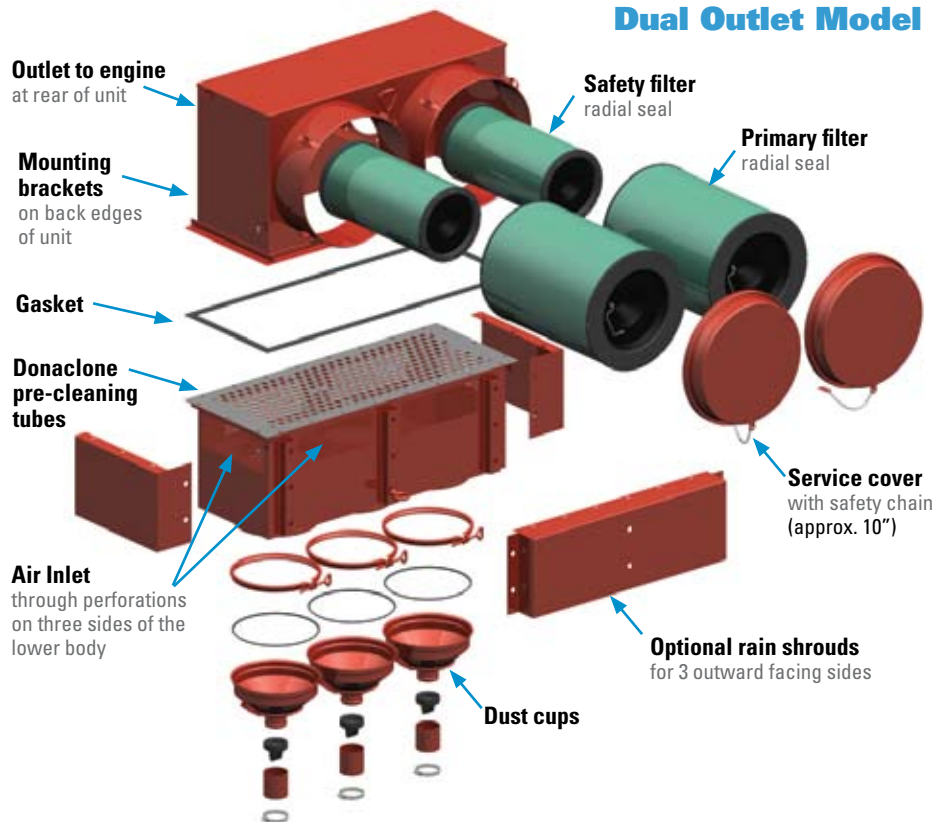
The SSG has simplified filter service with the quick release cover latches and a chain that is permanently connected to the housing and cover.



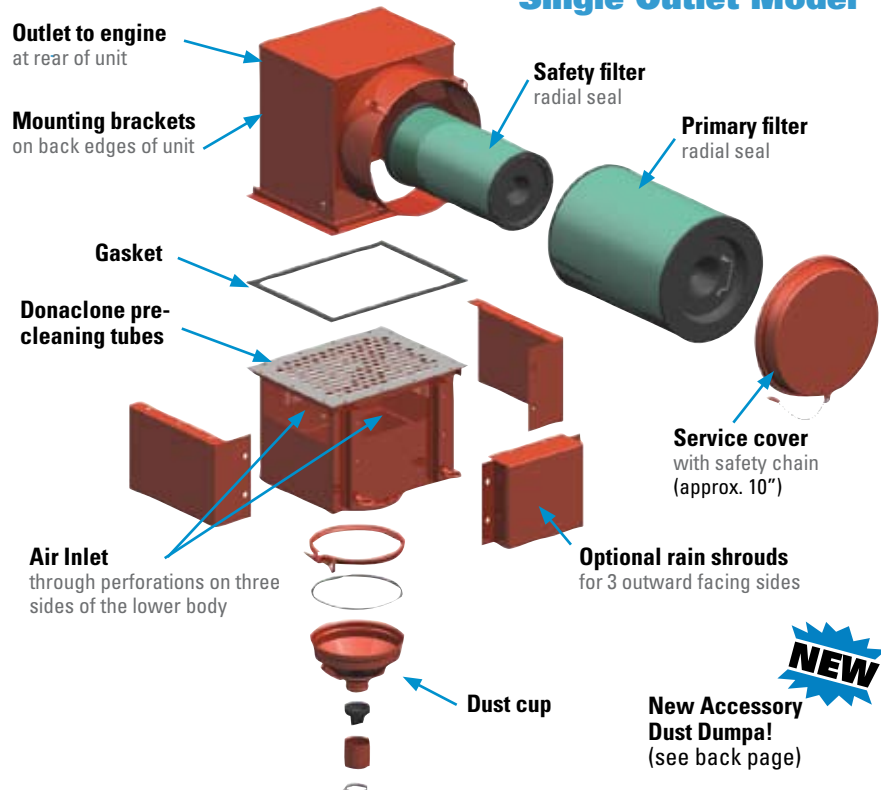
The SSG inlet section has a bank of Donaclone® pre-cleaning tubes that separate 95-97% of the heavier dust particles from the air stream. The pre-cleaned particles fall into the dust cups and the partially cleaned air is directed upward, into the primary filter.



Dual Outlet Model



Single Outlet Model



NEW

New Accessory Dust Dumpa!
(see back page)



Mining Haul Truck outfitted with two Donaldson SSG Air Cleaners

When spec'ing an Air Cleaner . . .

Determine the airflow requirements of your engine, then find the corresponding cfm airflow in the table at right. The restriction numbers (shown in inches of water) indicate the approximate initial restriction of each model air cleaner at that cfm. If there are two air cleaner models that fit your parameters, choosing the one with the lowest restriction will provide longest filter service life. When calculating total initial restriction of the entire air intake system, include the restriction caused by ducting and elbows.

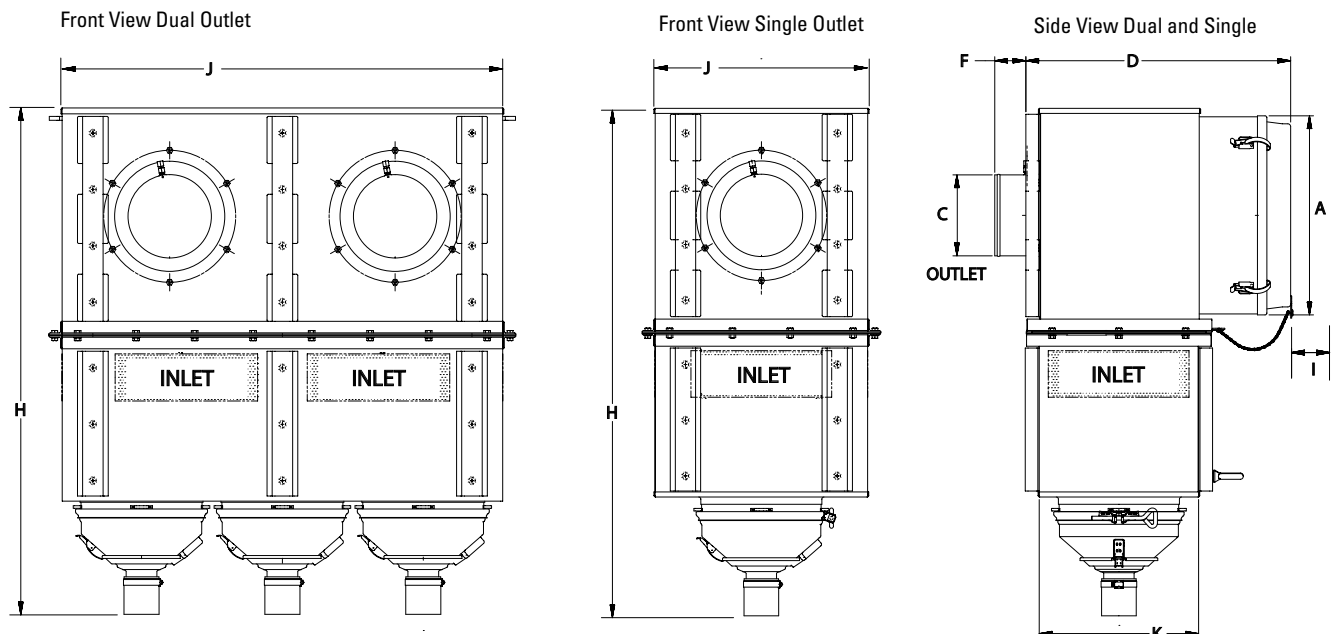
Initial Airflow Restriction

CFM @		Air Cleaner Model
6" H ₂ O	8" H ₂ O	
SINGLE OUTLET MODELS		
1,700	1,980	G200087
1,780	2,060	G200086
2,100	2,400	G200088*
DUAL OUTLET MODELS		
2,580	3,000	G290057
3,340	3,800	G290052
3,600	4,080	G290053
4,200	4,800	G290055*

* Sized to accommodate higher airflow.

SSG Air Cleaner Specifications

Air Cleaner Models	Body Diameter (A)		Outlet Diameter (C)		Length (D)		Outlet Length (F)		Height (H)		Service Clearance (I)		Width (J)		Depth (K)		Weight		
	in	mm	in	mm	in	mm	in	mm	in	mm	in	mm	in	mm	in	mm	lbs	kg	
SINGLE OUTLET MODELS																			
G200087	19.67	500	8.0	203	26.2	665	3	76	50.15	1,274	22.0	559	21.00	533	15.75	400	200	91	
G200086	19.67	500	10.0	254	26.2	665	3	76	50.15	1,274	22.0	559	21.00	533	15.75	400	200	91	
G200088	19.67	500	10.0	254	31.4	798	3	76	50.15	1,274	27.0	686	21.00	533	23.50	597	240	109	
DUAL OUTLET MODELS																			
G290057	19.67	500	8.0	203	26.2	665	3	76	49.42	1,255	22.0	559	43.00	1,092	15.75	400	340	154	
G290052	19.67	500	8.0	203	26.2	665	3	76	49.42	1,255	22.0	559	43.00	1,092	15.75	400	340	154	
G290053	19.67	500	10.0	254	26.2	665	3	76	49.42	1,255	22.0	559	43.00	1,092	15.75	400	340	154	
G290055	19.67	500	10.0	254	31.4	798	3	76	49.42	1,255	27.0	686	43.00	1,092	23.50	597	420	190	



Covered by issued and pending patents, both U.S. and internationally

DUST DUMPA!

Dust Cup Drop Down Tube Extension

Part No.
X006561



How it works:
When installed on the dust cups on the lower assembly, the rubber connector vibrates during normal vehicle operation and gravity expels the pre-cleaned dust.



- Improves dust evacuation from the air cleaner
- Clear tube allows for visual inspection of dust collection
- Reduces air cleaner inspection time
- Ships fully assembled
- For proper operation, Dust Dumpa must be installed on every dust cup

Save Maintenance Time & Costs Convert Older SRG Housing to an SSG Style

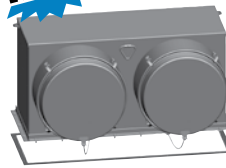
Replacing an older SRG housing with the new SSG housing allows you to simplify your routine filter service – no more separate gaskets at each filter change or removing a bolted on cover. SSG filters have radial seal end caps that provide a more reliable, consistent seal. Choose from an upper assembly conversion kit or you may want to install a complete new housing if your current SRG assembly needs repair or is reaching the end of its useful life.



SRG Housing

Item No.

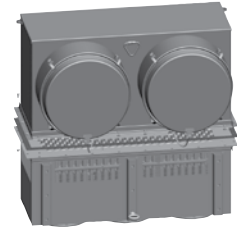
G200008
G200013
G290000
G290023
G290012



SRG to SSG Kit*

Kit No.

X009702
X009701
X009320
X009320
X009231



SSG Housing

Item No.

G200087
G200086
G290057
G290052
G290053

* The finish on the replacement kit upper assembly is a white, powdered-coated paint. Installation instructions are included with the kit.

SSG Housing Primary Filter Choices

For extended air filter life, upgrade to Donaldson Endurance™ Air Filters with Ultra-Web® Filtration Technology. SSG Air Cleaners and retrofit kits ship with standard life filters.

Air Cleaner	Standard Life	Extended Life
G200086	P608306	EAF5152
G200087	P608306	EAF5152
G200088	P609519	EAF5153
G290052	P608306	EAF5152
G290053	P608306	EAF5152
G290055	P609519	EAF5153
G230057	P608306	EAF5152



If it's Blue it's True!
Blue filters have Ultra-Web® Filtration Technology



Donaldson

Donaldson Company, Inc.
Minneapolis, MN
55440-1299

www.donaldson.com

Brochure No. F111212 (3/09)
© 2006-2009 Donaldson Company, Inc.
Printed in U.S.A.
Donaldson Company, Inc. reserves the right to change or discontinue any model or specification at any time and without notice.