

90° Rubber Elbows & Reducing Elbows



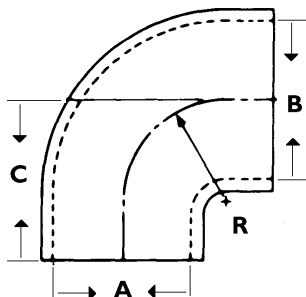
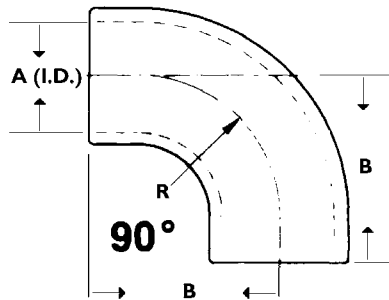
These flexible rubber adapters and elbows have smooth radii and inside surfaces to minimize flow resistance within the air intake system. These rubber products are heavy-duty!

Larger elbows (5"/125mm) are ribbed or compounded for added strength and durability. All Donaldson rubber products meet ASTM standards.

- Resist tears, punctures and vacuum collapse
- Absorb vibration
- Reduce intake noise levels under severe conditions
- Material: EPDM rubber construction
- Temperature range: -40°F (-40°C) to +212°F (+100°C)
- Application tip: A minimum 1½" of metal piping should be inserted into the rubber fitting.

90° Elbows

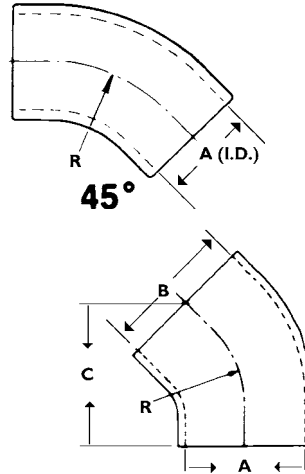
Inner Dia. (A) in	mm	Center Height (B) in	mm	Radius (R) in	mm	Part Number
2.00	51	3.50	76	2.00	51	P105529
2.25	57	3.75	95	2.25	57	P105530
2.50	64	4.00	102	2.50	64	P105531
3.00	76	5.25	133	3.75	95	P105532
3.50	89	5.50	140	4.00	102	P114318
4.00	102	5.75	146	4.50	114	P105533
4.50	114	5.50	140	3.50	89	P113733
5.00	127	6.12	155	4.50	114	P107844
5.50	140	6.50	171	4.63	118	P105534
6.00	152	7.00	179	5.00	127	P105535
7.00	179	7.56	192	5.56	141	P105536
8.00	203	8.50	216	6.50	165	P112605
10.00	254	10.50	267	8.50	216	P114314



90° Elbow Reducers

Inner Dia. (A) in	mm	Inner Dia. (B) in	mm	Center Height (C) in	mm	Radius (R) in	mm	Part Number
3.00	76	3.50	89	3.50	89	2.25	57	P123462
		4.00	102	4.50	114	3.00	76	P536163
4.00	102	5.00	127	6.00	152	3.75	95	P121482
		5.00	127	6.00	152	4.25	108	P143895
		7.00	179	6.25	159	4.25	108	P159820
5.50	140	6.00	152	6.75	171	5.00	127	P117724
		7.00	179	6.25	159	4.38	111	P128990

45° Rubber Elbows, Reducing Elbows and Hump Reducers

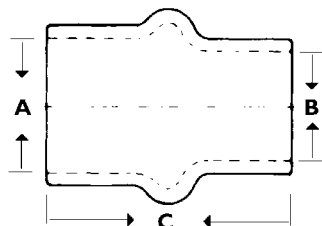


45° Elbows

Inner Dia. (A)		Radius (R)		Part Number
in	mm	in	mm	
2.00	51	2.00	51	P105541
2.25	57	2.25	57	P105542
2.50	64	2.50	64	P105543
3.00	46	3.75	95	P105544
3.50	89	3.50	89	P109331
4.00	102	4.25	108	P105545
4.50	114	3.50	89	P114316
5.00	127	4.50	114	P109021
5.50	140	4.75	121	P105546
6.00	152	5.00	127	P105547
7.00	178	5.56	141	P105548
8.00	203	6.50	165	P112606
10.00	254	8.50	216	P114313

45° Elbow Reducers

Inner Dia. (A)		Inner Dia. (B)		Center Height (C)		Radius (R)		Part Number
in	mm	in	mm	in	mm	in	mm	
5.50	140	6.00	152	6.44	164	4.88	124	P133338
6.00	152	7.00	179	7.38	187	5.31	135	P133339



Rubber Hump Reducers

Inner Dia. (A)		Inner Dia. (B)		Length (C)		Part Number
in	mm	in	mm	in	mm	
3.00	76	2.50	64	4.50	114	P102820
		2.75	70	3.50	89	P520883
3.50	87	3.00	76	5.00	127	P101290
		2.75	70	4.00	102	P520882
4.00	102	2.75	70	4.00	102	P520884
		3.00	76	5.25	133	P101291
		3.50	87	5.25	133	P101292
4.50	114	4.00	102	6.00	152	P540256
5.00	127	4.00	102	6.00	152	P101293
		4.50	114	6.25	159	P604045 ¹
5.50	140	4.00	102	6.00	152	P101891
		5.00	127	6.00	152	P103516
6.00	152	5.00	127	6.00	152	P112611
		5.50	140	6.00	152	P101294
7.00	179	5.00	127	7.00	179	P136494
		5.50	140	7.00	179	P126530
		6.00	152	6.00	152	P112610
8.00	203	5.50	140	7.00	179	P129660
		6.00	152	6.00	152	P114315
		7.00	179	6.00	152	P112609
10.00	254	8.00	203	6.00	152	P112607

1 - Use clamp size for nominal 5" (127mm) I.D. each end.

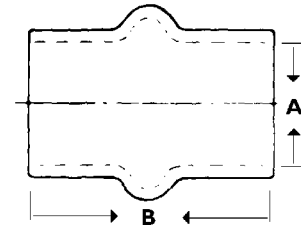
Rubber Straight Humps, Reducers & Cobra Adapters

INTAKE ACCESSORIES



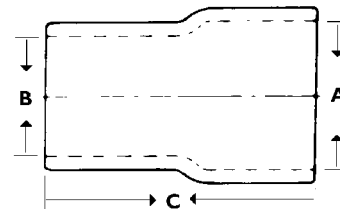
Rubber Straight Humps

Inner Dia. (A)		Length (B)		Part Number
in	mm	in	mm	
3.00	76	5.30	135	P105608
3.50	89	5.25	133	P114319
4.00	102	5.25	133	P105609
4.50	114	6.00	152	P114317
5.00	127	6.00	152	P105610
5.50	140	6.00	152	P105611
6.00	152	7.00	165	P105612
7.00	179	7.00	165	P105613
8.00	203	5.00	127	P112608
10.00	254	6.00	152	P111414



Rubber Reducers

Inner Dia. (A)		Inner Dia. (B)		Length (C)		Part Number
in	mm	in	mm	in	mm	
2.00	51	1.50	38	2.50	64	P104087
		1.75	44	2.50	64	P102948
2.25	57	2.00	51	2.50	64	P104088
2.50	64	2.00	51	2.50	64	P104089
		2.25	57	2.50	64	P104090



90° Cobra Adapters

Inner Dia. (A)		Inner Dia. (C)		Length (B)		(D)		Part Number
in	mm	in	mm	in	mm	in	mm	
2.75	70	4.00	102	6.50	165	1.81	46	P600328
3.00	76	3.00	76	5.22	133	1.91	49	P547694
4.00	102	4.00	102	6.44	164	2.69	68	P600325
		4.00	102	6.44	164	3.19	81	P600326
		5.00	127	6.44	164	3.19	81	P600327

