

# Drop Down Tube Extension

For PSD, SRG & SSG Air Cleaners



## Replacement to Your Existing Dust Cup Assembly



### Application

- Donaldson SRG & SSG air cleaners
- Donaldson PowerCore PSD Air Cleaners (10" and 12" models)

### How It Works

When installed on the dust cups on the lower assembly, the rubber connector vibrates during normal vehicle operation and gravity expels the pre-cleaned dust.

### Features

- Improves dust evacuation from the air cleaner
- Clear tube allows for visual inspection of dust collection
- Improves safety of the air cleaner inspection process by eliminating the need for ladders or elevated platforms for daily inspections
- Allows operators to perform walk around inspections
- Keeps operators and maintenance personnel away from the nuisance dust normally encountered during air cleaner servicing operations.
- Improves vehicle up time by minimizing pre/post –shift air cleaner inspections, thus facilitating increased air cleaner service intervals.
- Reduces air cleaner inspection time
- Ships fully assembled
- Proper conversion requires drop down tube for every dust cup

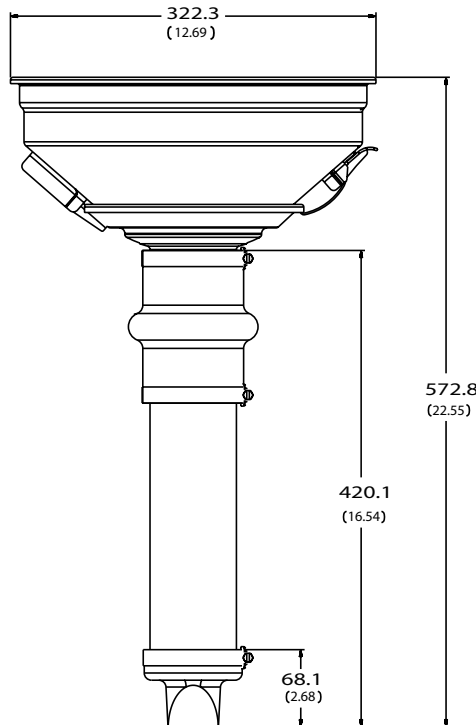


Part No.  
X006562  
(includes  
dust cup  
seal)

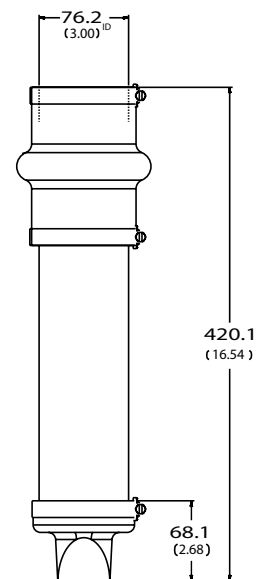


Part No.  
X006561

Part No. X006562



Part No. X006561



## Available for SRG and SSG Air Cleaners

### Existing S Series Air Cleaner Dust Cup Styles

Quick Release Dust Cup



Dust Cup -original



Dust Cup - newer design



For Conversion Order  
Kit X006562



For Conversion Order  
Kit : X006561



For Conversion Order  
Kit X006561



## Also works with PowerCore® Air Cleaners (PSD10 & PSD12)

