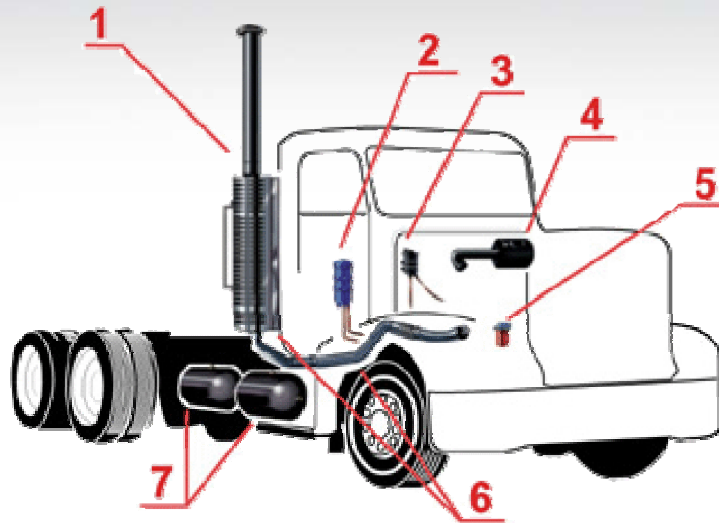




Products for Truck Applications



1. Mufflers, Catalytic Exhaust Mufflers and Resonators.

2. Lube Oil Filters.

3. Power Steering Reservoirs (Metal or Plastic).

4. Air Intake Components: Air Cleaners (Metal or Plastic), Air Elements, Air Intake Stack Caps, Air Intake Tubes, Mounting Brands and Rubber Products.

5. Fuel Filters/Water Koalescers.

6. Exhaust Accessories: Adaptors, Clamps, Elbows, Flex Tubing, Guards, Hangers, Heat Shields, Mounting Flanges, Rain Caps, Special Tubes and Stacks.

7. Air Tanks.



For more information, visit us at cumminsfiltration.com

LT36030 rev.01
©2007 Cummins Filtration
Printed in U.S.A.