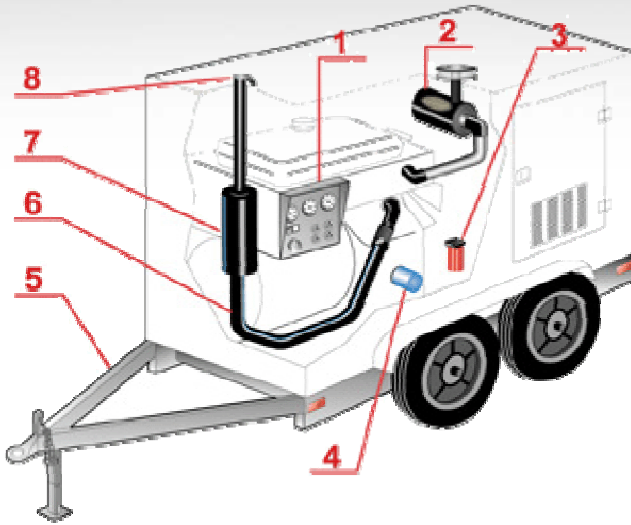




# Products for Generator Applications



- 1. Plastic Components.
- 2. Air Intake Components: Air Cleaners (Metal or Plastic), Air Elements, Aspirated Pre-Cleaners, Mounting Bands and Rubber Products.
- 3. Fuel Filters/Water Koalescers.
- 4. Lube Oil Filters (High Performance Synthetic or Cellulose).
- 5. Square Tubing.
- 6. Formed Tubes (Exhaust and Air), Insulated and Flexible Tube Assemblies.
- 7. Mufflers (Insulated or Non-Insulated), Catalytic Exhaust Mufflers, Spark Arresting Mufflers and Resonators.
- 8. Exhaust Accessories: Adaptors, Brackets, Clamps, Flanges, Guards, Hangers, Heat Shields, Mounting Flanges and Rain Caps.

