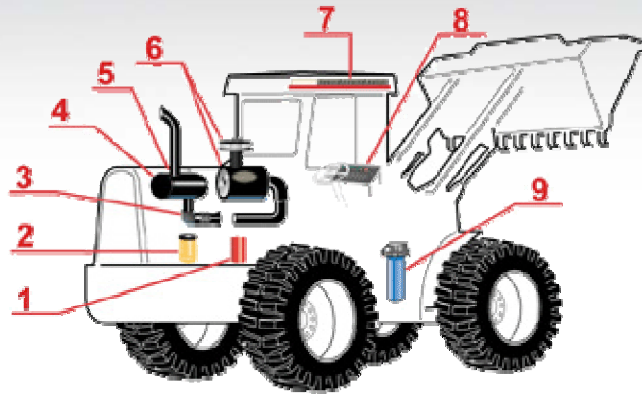




Products for Construction Applications



1. Fuel Filters/Water Koalescers.

2. Lube Oil Filters (High Performance Synthetic or Cellulose).

3. Formed Tubes (Exhaust and Air), Insulated and Flexible Tube Assemblies.

4. Mufflers (Insulated or Non-Insulated), Catalytic Exhaust Mufflers, Spark Arresting Mufflers and Resonators.

5. Exhaust Accessories: Adaptors, Brackets, Clamps, Flanges, Guards, Hangers, Heat Shields, Mounting Flanges and Rain Caps.

6. Air Intake Components: Air Cleaners (Metal or Plastic), Air Elements, Aspirated Pre-Cleaners, Mounting Bands and Rubber Products.

7. Cab Enclosure Filters (Cellulose, Activated Carbon and HEPA Media).

8. Plastic Components.

9. Hydraulic Oil Filters (High Performance Synthetic or Cellulose).



For more information, visit us at cumminsfiltration.com

LT36024 rev.01
©2007 Cummins Filtration
Printed in U.S.A.