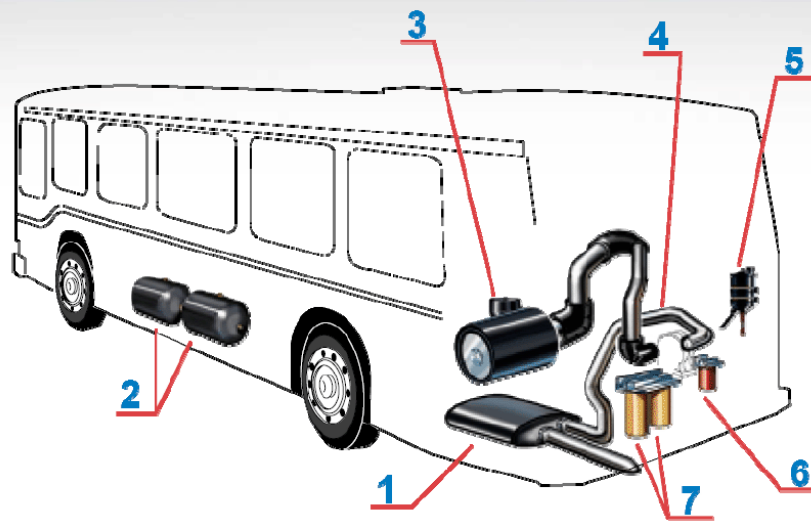




Products for Bus Applications



1. Mufflers, Catalytic Exhaust Mufflers and Resonators.

2. Air Tanks.

3. Air Intake Components: Air Cleaners (Metal or Plastic), Air Elements, Air Intake Tubes, Mounting Brackets and Rubber Products.

4. Exhaust Accessories: Adaptors, Clamps, Elbows, Flex Tubing, Guards, Hangers, Heat Shields, Mounting Flanges and Special Tubes.

5. Power Steering Reservoirs (Metal or Plastic).

6. Fuel Filters/Water Koalescers.

7. Lube Oil Filters.



For more information, visit us at cumminsfiltration.com

LT36022 rev.01
©2007 Cummins Filtration
Printed in U.S.A.