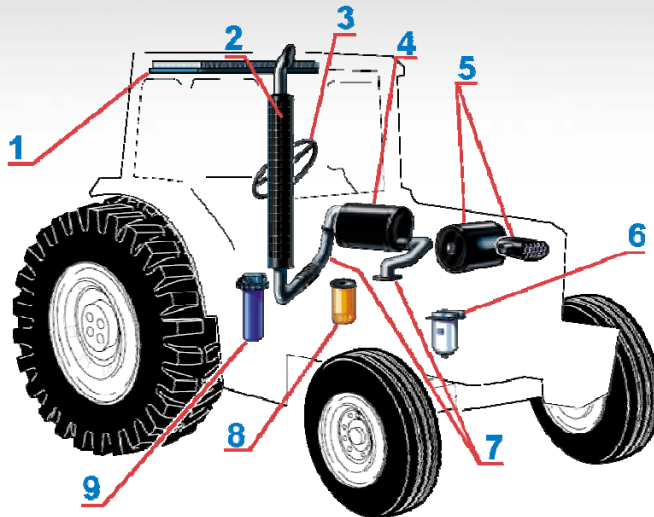




Products for Agriculture Applications



1. Cab Enclosure Filters (Cellulose, Activated Carbon and HEPA Media).

2. Exhaust Accessories: Adaptors, Brackets, Clamps, Flanges, Guards, Hangers, Heat Shields, Mounting Flanges and Rain Caps.

3. Plastic Components.

4. Mufflers (Insulated or Non-Insulated), Catalytic Exhaust Mufflers, Spark Arresting Mufflers and Resonators.

5. Air Intake Components: Air Cleaners (Metal or Plastic), Air Elements, Aspirated Pre-Cleaners, Mounting Bands and Rubber Products.

6. Fuel Filters/Water Koalescers.

7. Formed Tubes (Exhaust and Air), Insulated and Flexible Tube Assemblies.

8. Lube Oil Filters (High Performance Synthetic or Cellulose).

9. Hydraulic Oil Filters (High Performance Synthetic or Cellulose).



For more information, visit us at cumminsfiltration.com

LT36020 rev.01
©2007 Cummins Filtration
Printed in U.S.A.